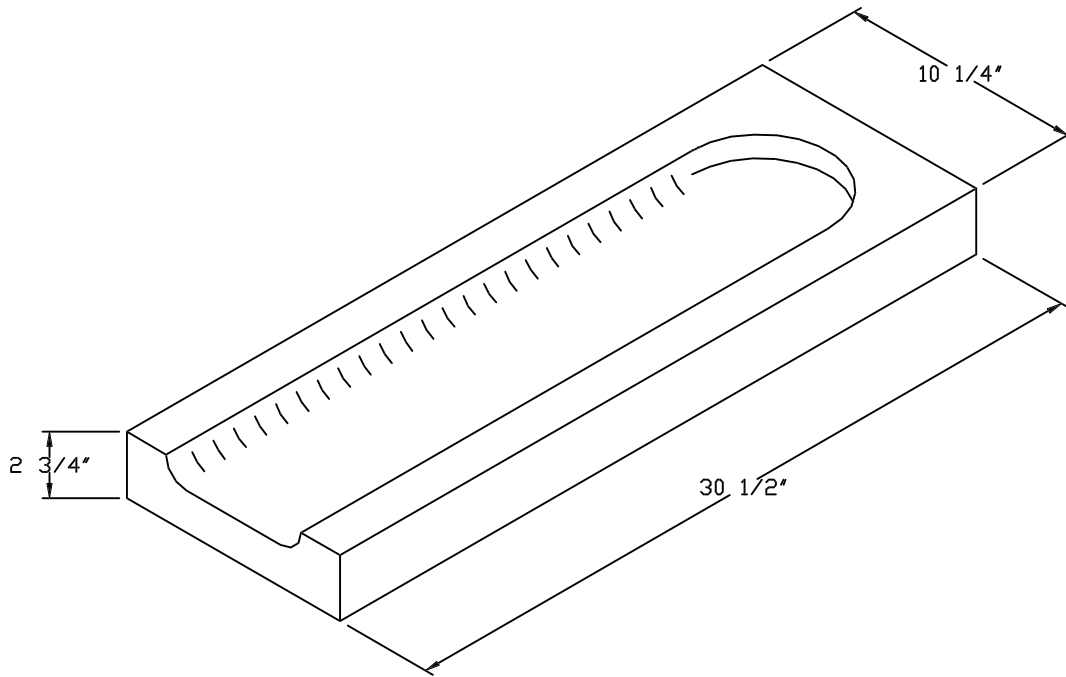


Date : 5/27/99

DWG #SPL-BL

FLEMINGTON PRECAST & SUPPLY, L.L.C.



SPECIFICATIONS

30" SPLASH BLOCK

SPLASH-BL

Reinforcement- 6"x6"x10 Ga. wire mesh
Secondary Reinforcement Synthetic Fibers Throughout
Design - Splash Block to be as Manufactured By:
FLEMINGTON PRECAST & SUPPLY, L.L.C.
18 Allen Street, Flemington, NJ 08822-1120
Ph. (908) 782-3246 Fax (908) 782-1981