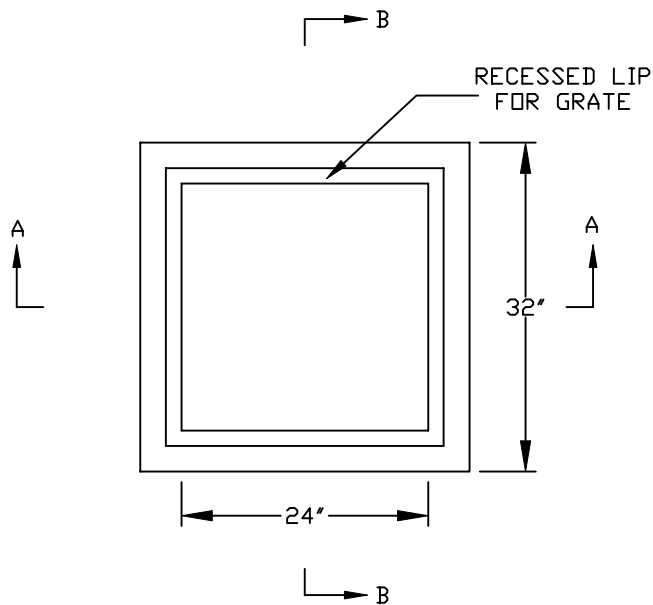
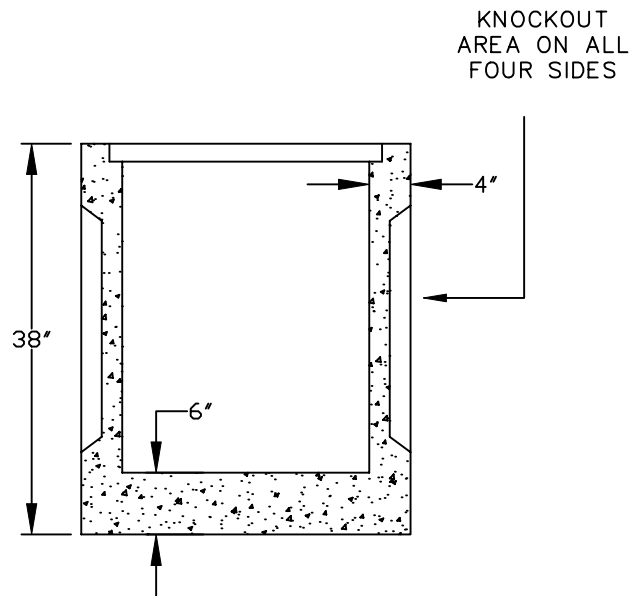


SECTION A-A



PLAN



SECTION B-B

THIS CATCH BASIN IS TRAFFIC BEARING

SPECIFICATIONS

SEPTTECH™ 2' X 2' I.D. KNOCK OUT STYLE CATCH BASIN

2X2CB

Minimum Concrete Strength – 4000 P.S.I. @ 28 Days
 Reinforcement – #4 Rebar in Sides; 6"x6"x10 Ga. wire mesh in Sides
 Secondary Reinforcement Synthetic Fibers Throughout
 Construction Joint – Sealed with Conseal CS-101 Butyl Resin Sealant
 Design – Catch Basin to be As Manufactured By:
FLEMINGTON PRECAST & SUPPLY, L.L.C.
 18 Allen Street, Flemington, NJ 08822-1120
 Ph. (908) 782-3246 Fax (908) 782-1981