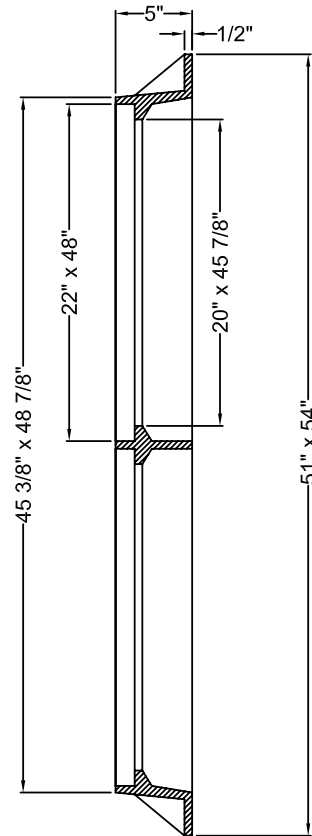
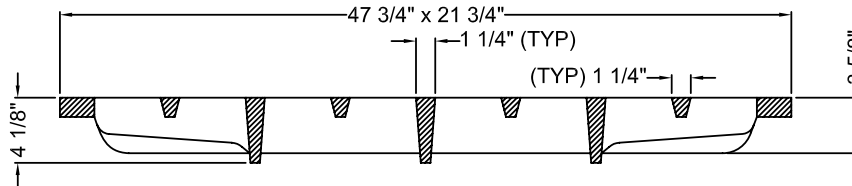


PLAN VIEW



SEC. Y-Y (FRAME)

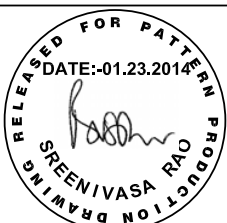


SEC. X-X (GRATE)

Note:-

1. All the dimensions are in inches.
2. Material: Cast Iron ASTM A48 Class 30B.
3. Meet H20 Loading Standards.
4. Tolerance should be ± 0.0625 ", unless otherwise specified.
5. Refer Sigma QIP Doc.No : QA/QIP/MCC for manufacturing and inspection procedure.

BY RECEIVING THIS DRAWING THE RECEIPT AGREE THAT THIS DRAWINGS AND ITS CONTENTS REMAIN THE SOLE PROPERTY OF SIGMA CORPORATION. THIS DRAWING IS RECEIVED IN CONFIDENCE AND WILL NOT BE REPRODUCED TO SIGMA'S DETRIMENT. THIS DRAWING IS LOANED SUBJECT TO RETURN ON DEMAND.



Rev	Date	Revision Record	Prepared	Approved
1		E-MAIL DT. ON 05.03.2002 WT. CHANGE OF FRM FROM 340 LBS TO 290 LBS & SET WT. 940 LBS IN PLACE OF 990LBS BOTTOM C/O 45 3/8" X 48 3/4" IN PLACE OF 45" X 48" FOR WT. REDUCED.		
2	01.21.2014	E-MAIL DT. 05.12.07 COATING PAINTED. FORMAT CHANGED	EDCT	SR1

All Radii & Fillets to be 0.12" (3mm) unless otherwise specified All Draft angles to be 2° unless otherwise specified on drawing	
Product Group :-	MCC
Coating:-	PAINTED
Product Description-	HEAVY DUTY INLET FRAME & BIKE PROOF TYPE GRATE MARKED "DUMP NO WASTE DRAINS TO WATERWAYS WITH FISH LOGO (EQ. C.F. -3425)
Drawing Number :-	FG-920BC
Rev :-	2

SIGMA
CREAM RIDGE, NEW JERSEY

DATE : **01.21.2014**
DRAWN BY **EDCT/BASANTA DAS**

DRAWING FOR: **SUBMITTAL**
CHECKED BY **MSK/ASHISDEY**

SCALE: **NTS** SHEET NO: **1 OF 1** APPROVED BY **SR1**