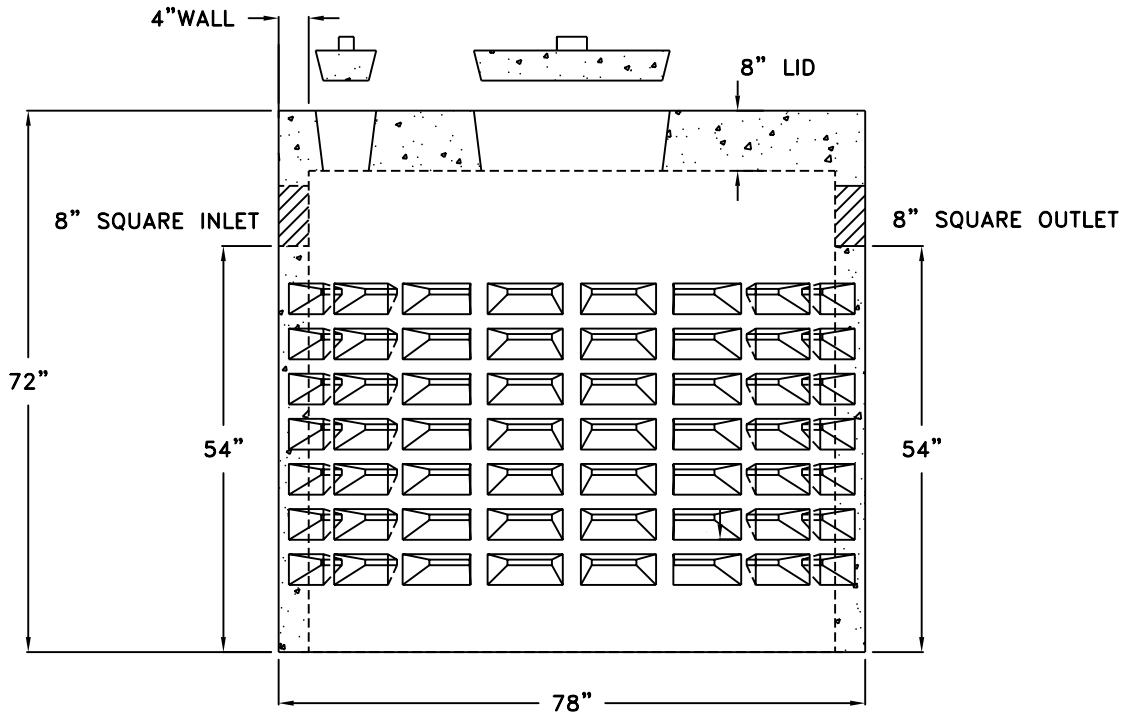


TAPERED HOLES
 10" X 4" OUTSIDE
 6-1/2" X 3/4" INSIDE



SPECIFICATIONS

68" SEEPAGE TANK WITH 8" TOP

SET68-8

Minimum Concrete Strength - 4000 P.S.I. @ 28 Days
 Reinforcing Steel - conforms to ASTM A615 & A185
 Design - Maximum Earth Cover - 4' , HS-20 Loading

Inlet & Outlet Equipped with 8" Square Hole
 Seepage Tank To Be As Manufactured By:

FLEMINGTON PRECAST & SUPPLY, L.L.C.

18 Allen Street, Flemington, NJ 08822-1120

Ph. (908) 782-3246

Fax (908) 782-1981