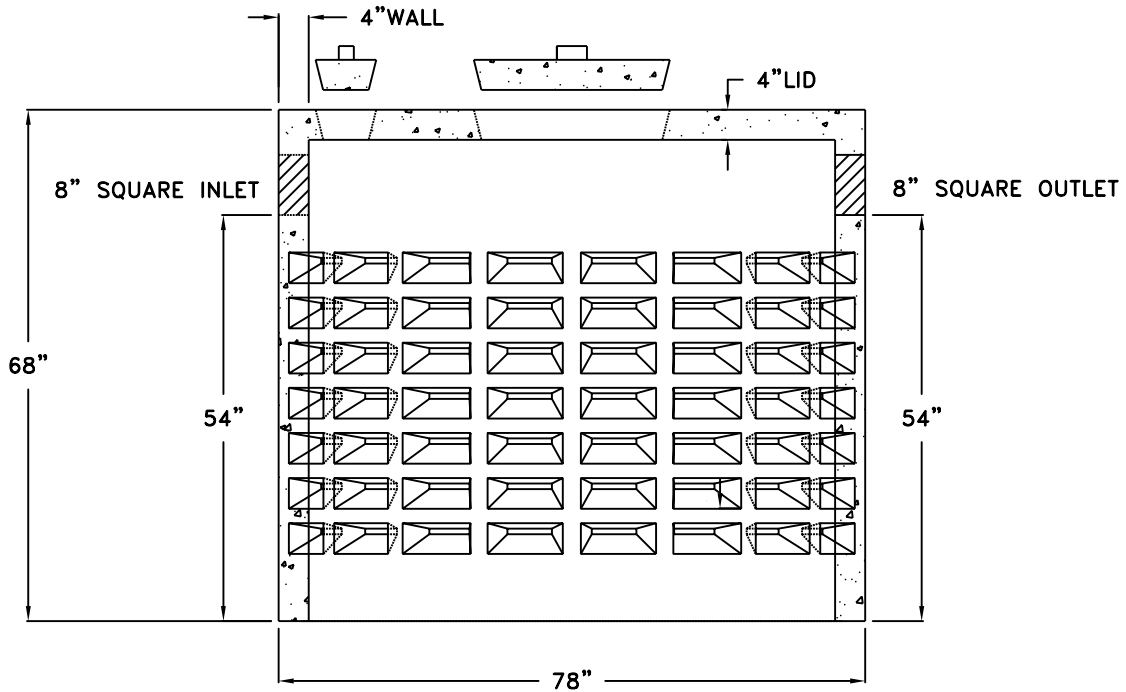


TAPERED HOLES
 10" X 4" OUTSIDE
 6-1/2" X 3/4" INSIDE



SPECIFICATIONS

68" SEEPAGE TANK WITH 4" LID

SET68

Minimum Concrete Strength - 4000 P.S.I. @ 28 Days
 Reinforcing Steel - conforms to ASTM A615 & A185
 Design - Maximum Earth Cover - 4', No Traffic Loads
 Inlet Equipped with 8" x 8" Knockout Hole
 Seepage Tank To Be As Manufactured By:
FLEMINGTON PRECAST & SUPPLY, L.L.C.
 18 Allen Street, Flemington, NJ 08822-1120
 Ph. (908) 782-3246 Fax (908) 782-1981