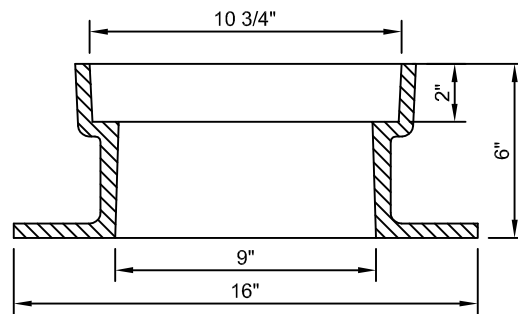
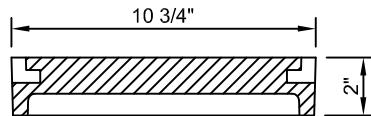
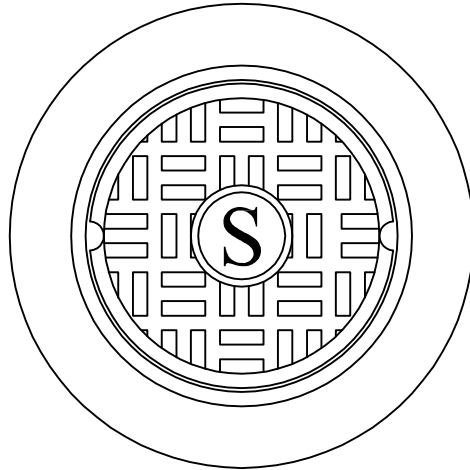


700 Goldman Drive  
Cream Ridge, NJ 08514



DRG. FOR  
APPROVAL

DRG. NO.  
**MBX-348**



MATERIAL: <b>GRAY CAST IRON</b>		DESCRIPTION: <b>6" LAMPHOLE FRAME &amp; COVER</b>	
COATING: <b>PAINTED</b>		WEIGHT: <b>80 LBS.(SET)</b>	APPVD. ON
DRN. BY. 09/10/2001. <b>BASANTA DAS.</b>	CHECKED BY: <b>ASHIS DEY</b>	ISSUED DATE:-	<b>REVISION-"0"</b>